

MD-219 Series

19-inch marine displays



Features and Benefits

- 19-inch display, 5:4 aspect ratio
- 300-nit or sunlight-readable 1000-nit LED backlight
- Color calibrated for ECDIS compliance
- Full range dimming, 0 to 100%
- SavvyTouch display controls
- Built-in RS-232/422/485 interfaces
- Dual power supplies (AC & DC)
- IP54-rated front panel (IP66 available by request)

Certifications



Introduction

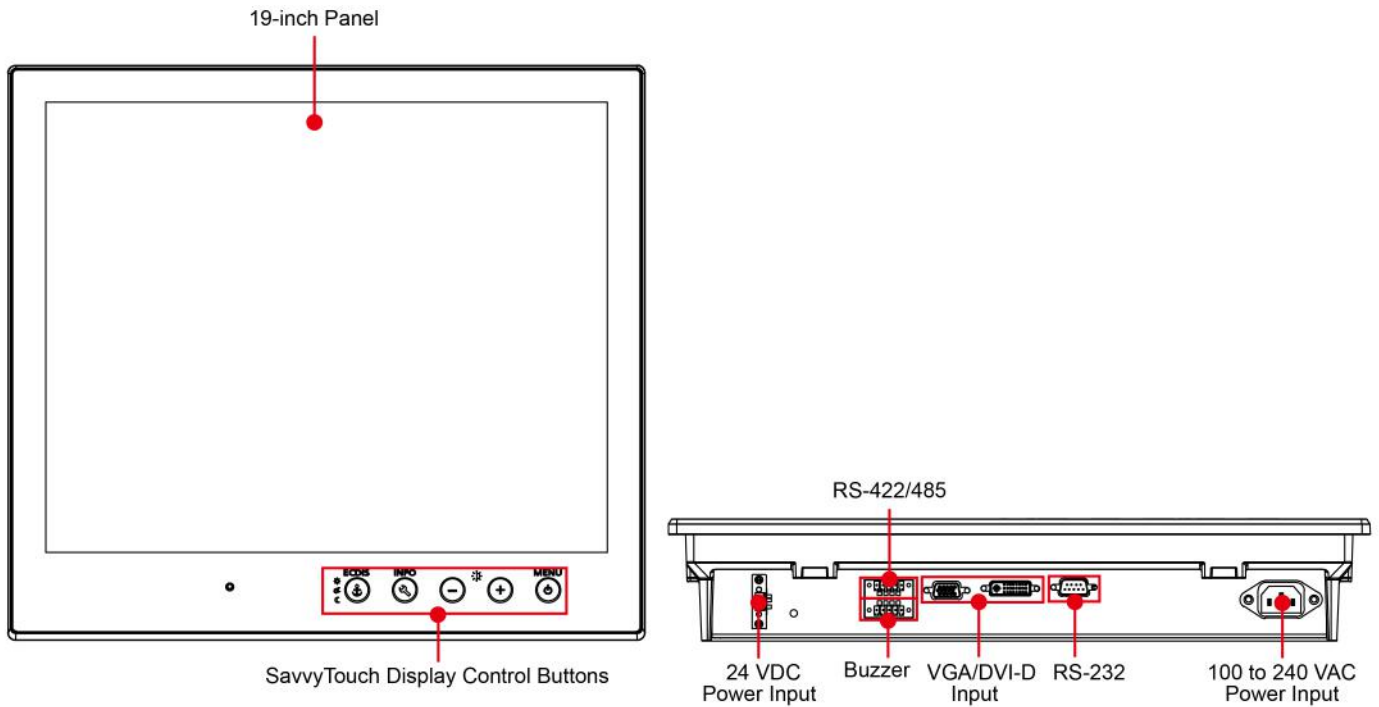
The MD-219 Series of marine displays come with full range dimming, wide viewing angles, and optional optical bonding. These displays are built with a small-profile modular design that allows easier integration into industrial marine systems, reducing deployment costs and overall time-to-market.

The innovative and user-friendly SavvyTouch display controls offer several unique features not found on any other marine display console: a proximity sensor for convenient adjustments in dark conditions, an info button for immediate updates on power status, and a quick-switch to adjust between day, dusk, and night-time ECDIS modes (for color-calibrated ECDIS models only).

The MD-219 Series displays are compliant with IEC 60945, DNV, ABS, and IACS E10, making them suitable for maritime applications. Their IP54-rated (IP66-rated model available by request) enclosure provides additional protection against dust and moisture above and beyond the limits established by these international standards bodies.

ECDIS-approved models are also available, offering an excellent HMI solution for ECDIS charting and navigation stations.

Appearance



Specifications

Display

Aspect Ratio	5:4
Contrast Ratio	2000:1
Max. No. of Colors	16.7M (8-bit/color)
Panel Size	19-inch viewable image
Panel Type	MVA
Pixels	1280 x 1024
Response Time	20 ms (gray to gray)
Viewing Angles	178°/178°
Light Intensity (Brightness)	MD-219X/219Z: 300 cd/m ² MD-219Z-HB: 1000 cd/m ²

Computer Interface

Serial Ports	RS-232 ports x 1 (DB9 male) RS-232/422/485 ports x 1, software-selectable (terminal block)
Video Input	DVI-D x 1, 29-pin DVI-D connectors (female) VGA x 1, 15-pin D-sub connector (female)

Touch Function

Touch Type	MD-219Z/MD-219Z-HB: Capacitive Touch (PCAP) MD-219X: None
Touch Support Points	MD-219Z/219Z-HB: 4 points

Serial Interface

Baudrate	50 bps to 115.2 kbps
Data Bits	5, 6, 7, 8
Flow Control	RTS/CTS, XON/XOFF, ADDC® (automatic data direction control) for RS-485, RTS Toggle (RS-232 only)
Parity	None, Even, Odd, Space, Mark
Stop Bits	1, 1.5, 2

Serial Signals

RS-232	TxD, RxD, RTS, CTS, DTR, DSR, DCD, GND
RS-422	Tx+, Tx-, Rx+, Rx-, GND
RS-485-2w	Data+, Data-, GND
RS-485-4w	Tx+, Tx-, Rx+, Rx-, GND

Power Parameters

Input Voltage	100 to 240 VAC, 24 VDC (18 to 30 V)
---------------	-------------------------------------

Physical Characteristics

Housing	Metal
IP Rating	IP54, front IP20, rear
Dimensions	429 x 387 x 75 mm (16.89 x 15.24 x 2.95 in)
Weight	7,800 g (17.20 lb)
Installation	Desktop, Panel mounting, VESA mounting

Environmental Limits

Operating Temperature	-15 to 55°C (5 to 131°F)
Storage Temperature (package included)	-20 to 60°C (-4 to 140°F)
Ambient Relative Humidity	5 to 95% (non-condensing)

Standards and Certifications

EMC	EN 55032/24
EMI	CISPR 32, FCC Part 15B Class A
EMS	IEC 61000-4-2 ESD: Contact: 4 kV; Air: 8 kV IEC 61000-4-3 RS: 80 MHz to 1 GHz: 3 V/m IEC 61000-4-4 EFT: Power: 1 kV; Signal: 0.5 kV IEC 61000-4-5 Surge: Power: 2 kV; Signal: 1 kV IEC 61000-4-6 CS: 1k V
Maritime	ABS, CCS, DNV-GL, IEC 60945
Safety	UL 60950-1

Warranty

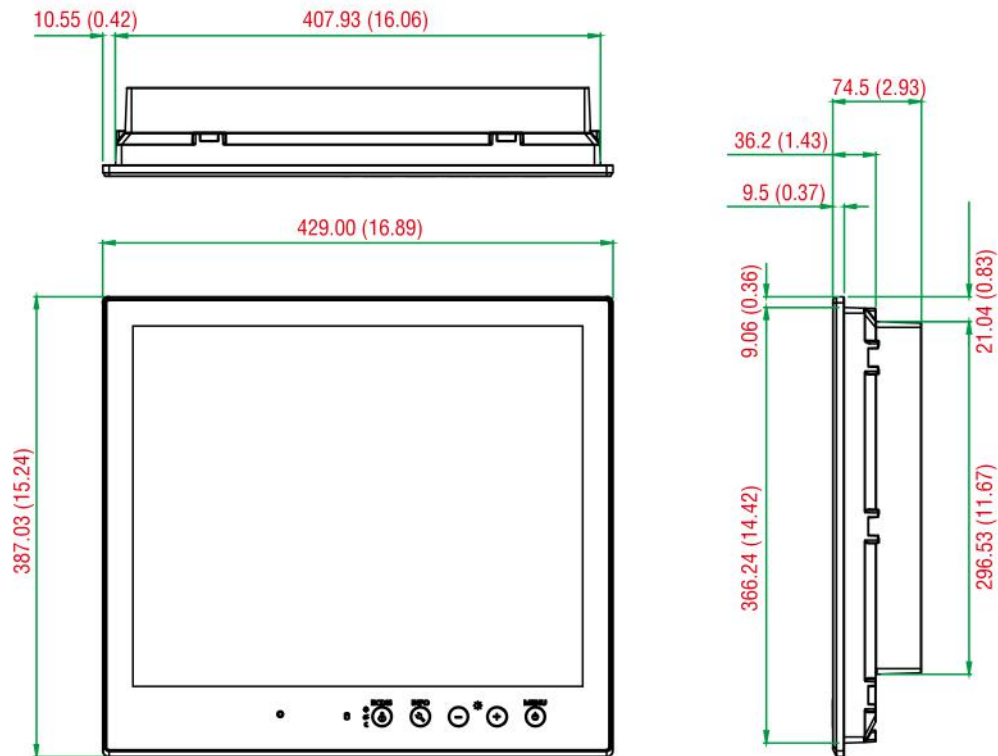
Warranty Period	LCD: 1 year System: 3 years
Details	See www.moxa.com/warranty

Package Contents

Device	1 x MD-219 Series display
Cable	1 x DVI-D cable 1 x VGA
Installation Kit	1 x terminal block, 2-pin 1 x terminal block, 5-pin
Documentation	1 x document and software CD 1 x quick installation guide 1 x warranty card

Dimensions

Unit: mm (inch)



Ordering Information

Model Name	Panel	Video Inputs	Touchscreen	Power Input
MD-219X	19" (5:4) 300 nits	1 x VGA 1 x DVI-D	-	24 VDC (18-30 V) 100-240 VAC
MD-219Z	19" (5:4) 300 nits	1 x VGA 1 x DVI-D	Multi-touch	24 VDC (18-30 V) 100-240 VAC
MD-219Z-HB	19" (5:4) 1000 nits	1 x VGA 1 x DVI-D	Multi-touch	24 VDC (18-30 V) 100-240 VAC

Accessories (sold separately)

Desktop Mounting Kits

MPC-MD-2-19-DMTK w/ hinge	Desktop-mounting kit for 19-inch panels
MPC-MD-2-19-DMTK w/o hinge	Desktop-mounting kit for 19-inch panels, (no hinge)

Panel Mounting Kits

MPC-MD-2-19-PMTK	19-inch panel-mounting kit, 10 mounting clamps
MPC-MD-2-19-RMTK	Rubber gasket for 19-inch panels

VESA Mounting Kits

MPC-MD-2-19-VESAMTK	VESA kit for 19-inch panels (can be used with 100 x 100 mm or 280 x 150 mm VESA mounts)
---------------------	---

© Moxa Inc. All rights reserved. Updated Nov 12, 2018.

This document and any portion thereof may not be reproduced or used in any manner whatsoever without the express written permission of Moxa Inc. Product specifications subject to change without notice. Visit our website for the most up-to-date product information.